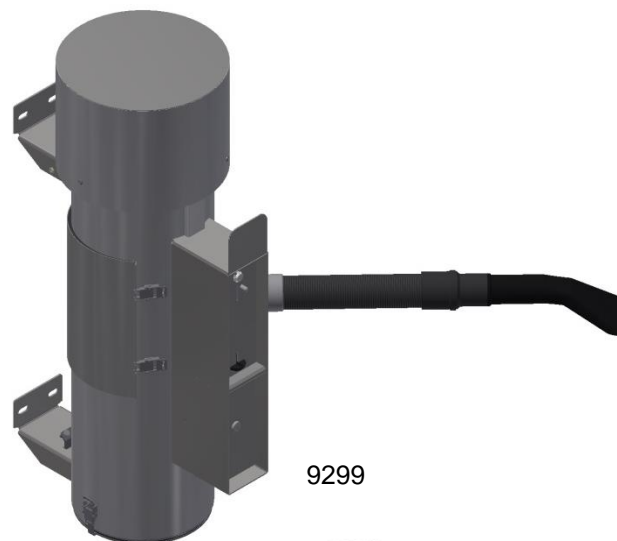


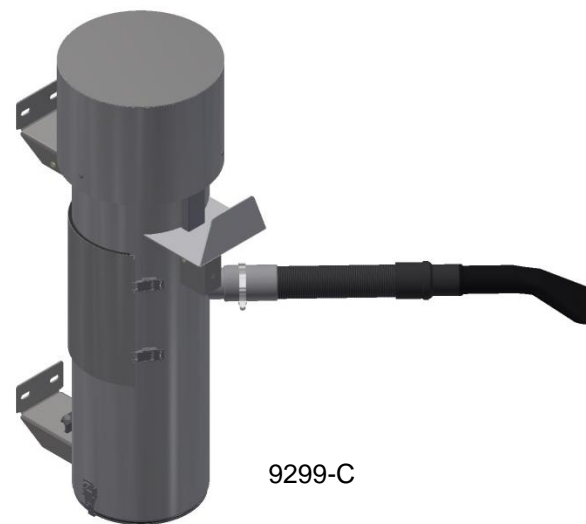


Models - 9299, 9299-C

| | |
|------------|-------------------------------|
| Page 2 | Product Information |
| Page 3 | Specifications |
| Page 4 | Important Safety Instructions |
| Page 5 | Product Dimensions |
| Page 6-9 | Installation |
| Page 9-11 | Programming |
| Page 12 | Operating Instructions |
| Page 12-13 | Maintenance & Troubleshooting |
| Page 14-17 | Parts List |
| Page 18-19 | Wiring Diagram |



9299



9299-C

PRODUCT INFORMATION

Please take a moment to fill out the information below in order to aid us with any future sales or service inquiries. Model number and serial number information can be found on the serial tag located inside the control box and/or on the lower exterior of the can. Key number can be found on the tag that comes attached to the keys. There may be more than one key number depending on unit.

Please keep this information with your records.

MODEL#: _____

SERIAL#: _____

KEY NUMBER(S): _____

DATE PURCHASED: _____

DISTRIBUTOR: _____

**J.E. Adams Industries
1025 63rd Ave. S.W.
Cedar Rapids, IA 52404
1-800-553-8861
www.jeadams.com**

Specifications

Unit specifications:

Voltage: 120VAC, 60Hz
Amperage: (1) 20 amp service is required for this unit
Weight: 60-70 lbs
Motors: (1) 120VAC vacuum motor
Fuses: (1) 20 amp inline fuses

Duty cycle time 4 minutes on, 4 minutes off.

NOTE: "UNIT INTENDED FOR COMMERCIAL USE ONLY"

IMPORTANT SAFETY INSTRUCTIONS

When using an electrical appliance, basic precautions should always be followed, including the following:

READ ALL INSTRUCTIONS BEFORE USING (THIS APPLIANCE)

WARNING – To reduce the risk of fire, electric shock, or injury:

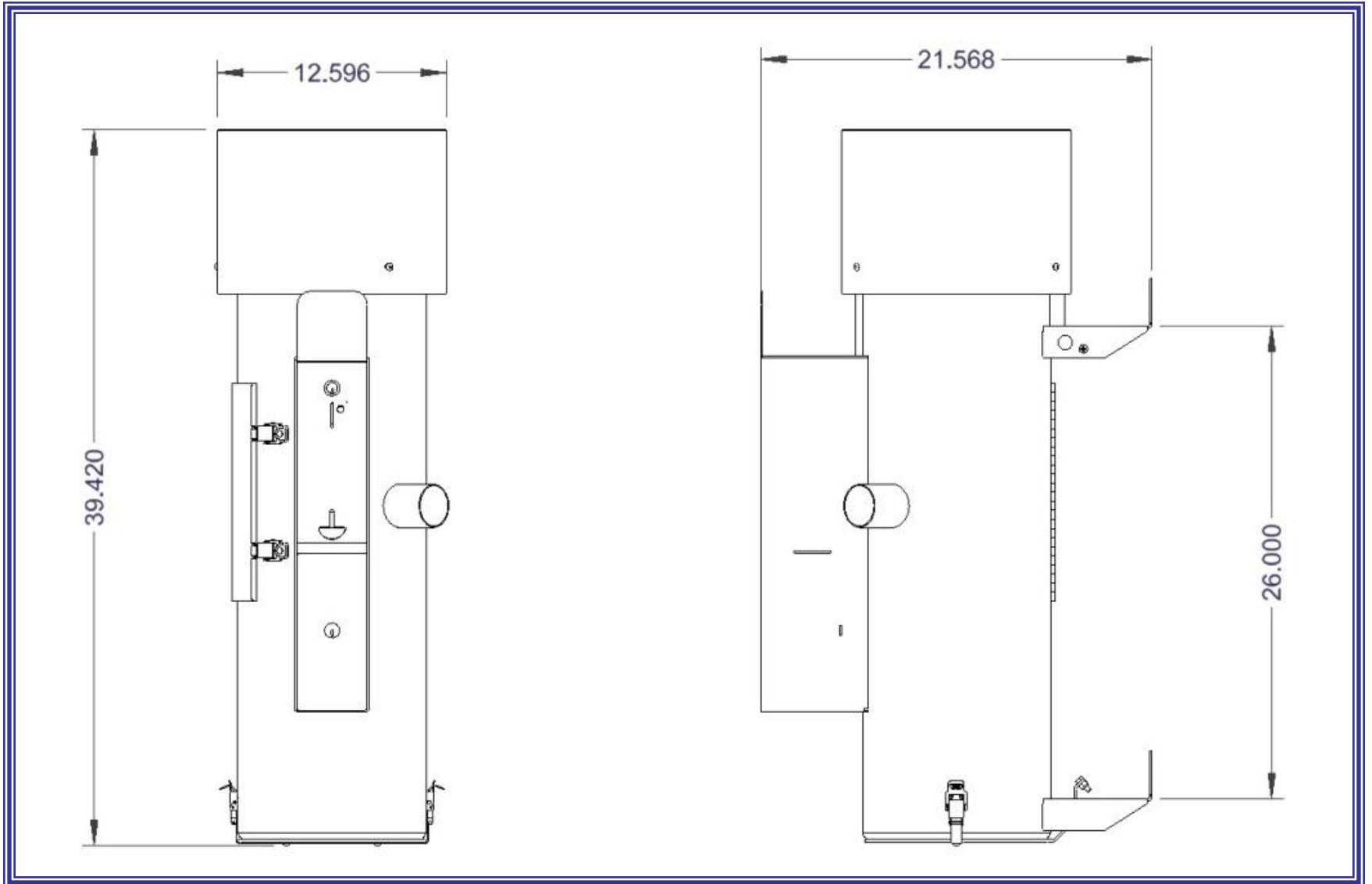
- Do not use on wet surfaces.
- Use only as described in manual. Use only manufactures recommended attachments.
- Do not allow to be used as a toy. Close attention is necessary when used by or near children.
- Do not put any object into openings. Do not use with any opening blocked; keep free of dust, lint, hair and anything that may reduce air flow.
- Keep hair, loose clothing, fingers, and all parts of body away from openings and moving parts.
- Do not use to pick up flammable or combustible liquids, such as gasoline, or use in areas where they may be present.
- Do not pick up anything that is burning or smoking, such as cigarettes, matches, or hot ashes.
- Do not use without dust bag and/or filters in place.



SAVE THESE INSTRUCTIONS

- **Installation Instructions:**
- Determine location to mount unit (“**DANGER**” “**THIS EQUIPMENT INCORPORATES PARTS SUCH AS SWITCHES, MOTORS, OR THE LIKE THAT TEND TO PRODUCE ARCS OR SPARKS THAT CAN CAUSE AN EXPLOSION. WHEN LOCATED IN GASOLINE-DISPENSING AND SERVICE STATIONS INSTALL AND USE AT LEAST 20 FEET (6 M) HORIZONTALLY FROM THE EXTERIOR ENCLOSURE OF ANY DISPENSING PUMP AND AT LEAST 18 INCHES (450 MM) ABOVE A DRIVEWAY OR GROUND LEVEL.**”
- Run service to the location
- **Grounding Instructions:** This appliance must be connected to a grounded metal, permanent wiring system; or an equipment-grounding conductor must be run with the circuit conductors and connected to the equipment-grounding terminal or lead on the appliance.
- **Circuit must be protected by GFCI device.**
- All local and national electric codes must be followed for installation and use.
- Licensed electricians are recommended for installation.

Product Dimensions

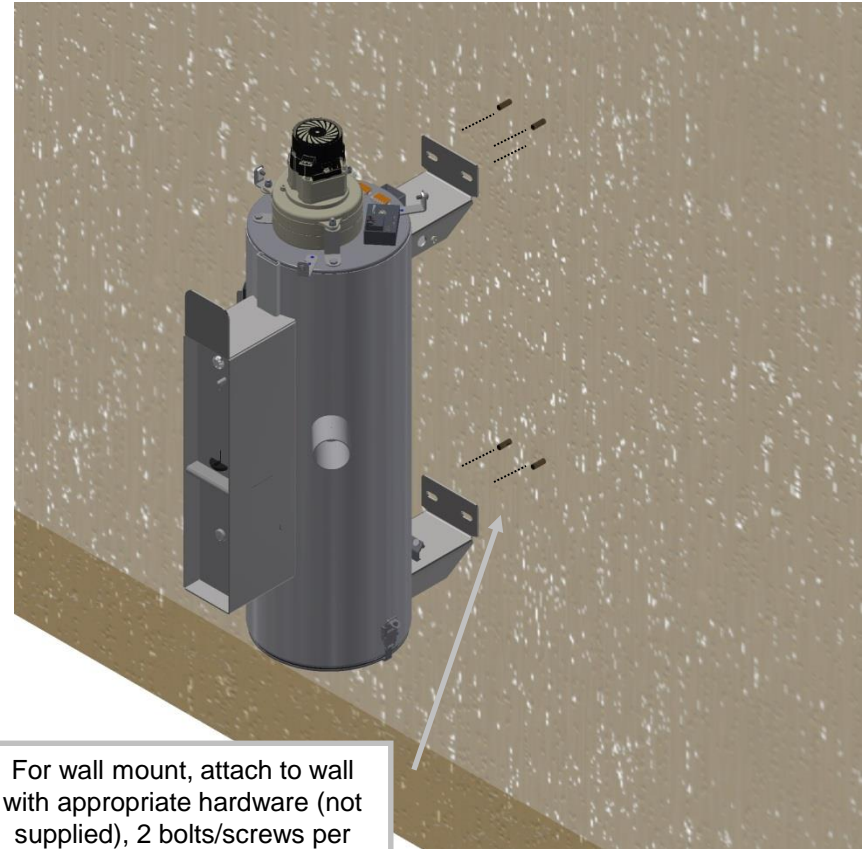


Installation:

Post or wall mount



For post mount use model number "9299-POST" which includes U-bolts to mount vacuum. Kit does not include base attachment hardware.

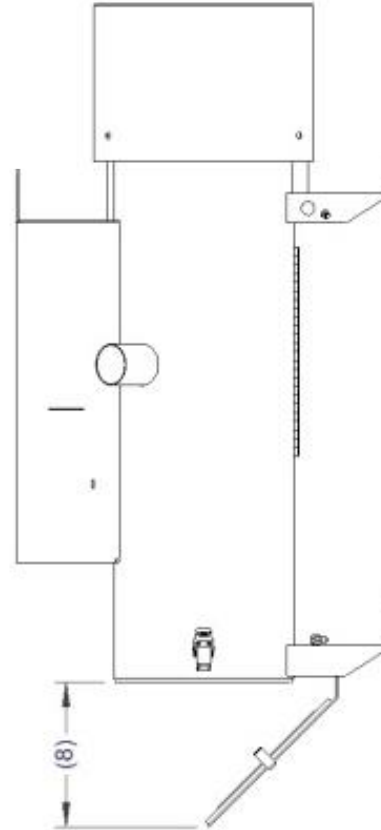


For wall mount, attach to wall with appropriate hardware (not supplied), 2 bolts/screws per bracket as pictured.

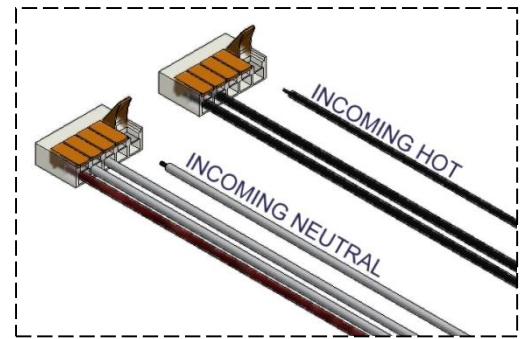
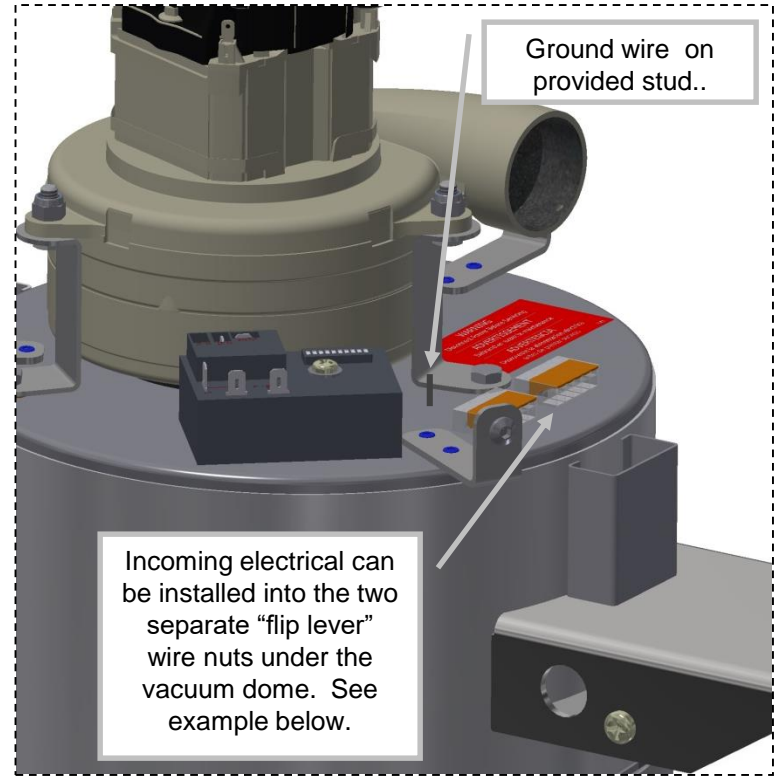
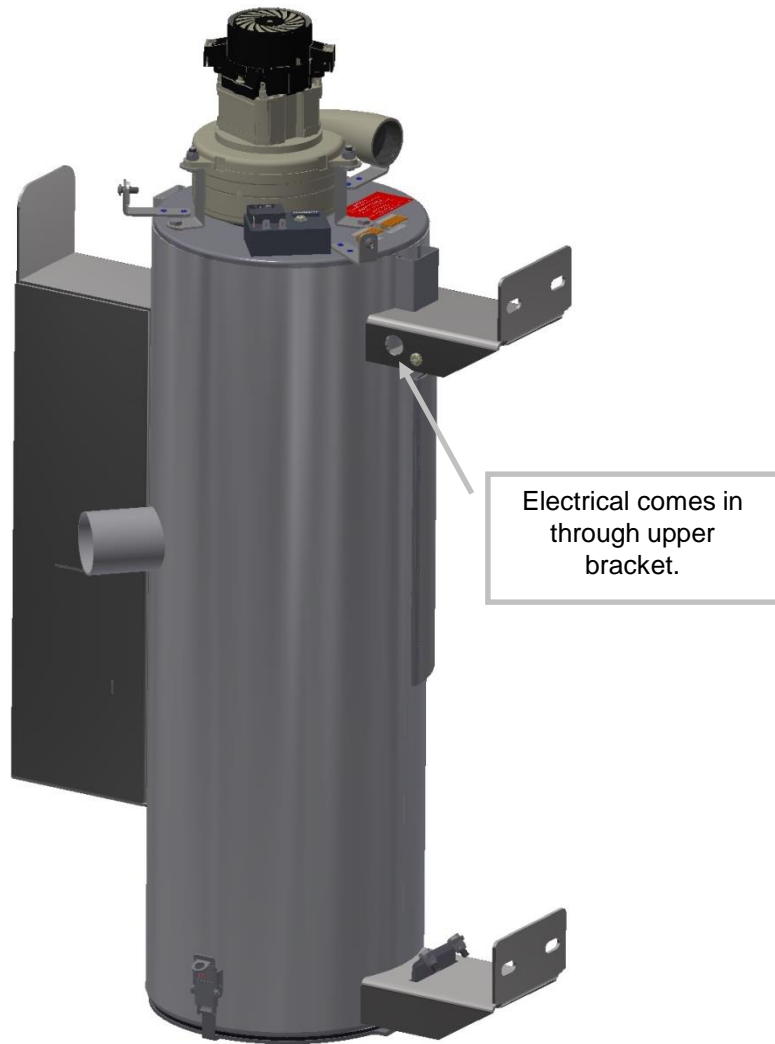
Installation cont.:



Be sure to allow room for lower trash door to open.



Installation cont.:





To attach hose, slide coupler onto steel inlet and use hose clamp to secure.



Timer located under dome on pay units.

After attaching the hose the unit can be turned on and programmed.

Programming Instructions:

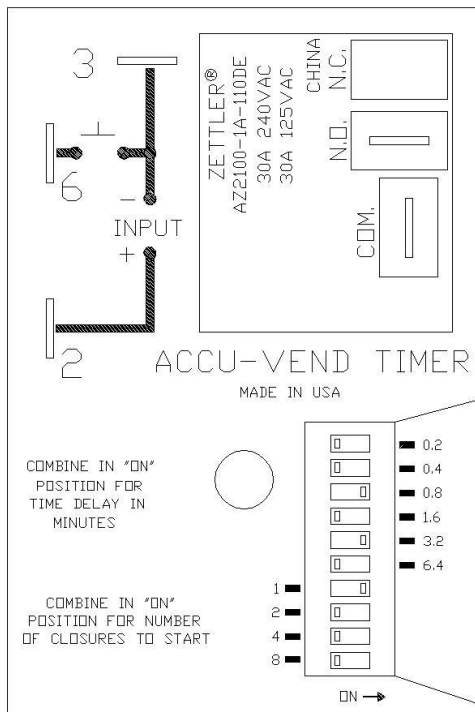
Coin acceptor:

No programming to acceptor needed if unit was purchased with the standard Imonex Z3 acceptor (8149 JEA part number) as it is built to accept US quarters.

If different acceptor was purchased, see additional literature sent with unit for programming information.

COIN OPERATED Timer Programming:

The below timer pictured is the standard SSAC model that allows the end user to select the "coins to start" and the "time per coin" by settings series of dip switches. The number of "coins to start" dip switch is how many quarters are needed to make the machine come on. In the below example, the "one coin" dip is selected which makes the unit come on with one coin. The "time per coins" will then need to be set, but a good rule of thumb would be 4 minutes which requires dip switches 3.2 and .8 to be set to on. This scenario means 1 quarter will provide 4 minutes of vacuum time. The time per coin setting can be modified as desired by simply adding or subtracting time. If the operator would later decide to increase the cost of the unit to "2" quarters, the 2 dip switch would need to be in the on position (all others off) and the time dip switches would need to have the 1.6 and 0.4 dips selected. This would allow 2 minutes of time for each quarter for a total of 4 minutes for two quarters.



Time in minutes/per coin dip switch settings:

0.2 = 12 seconds

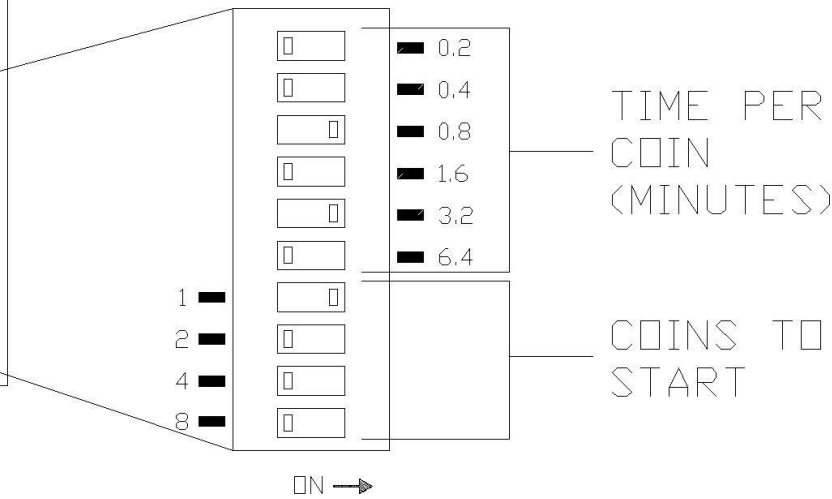
0.4 = 24 seconds

0.8 = 48 seconds

1.6 = 96 seconds

3.2 = 192 seconds

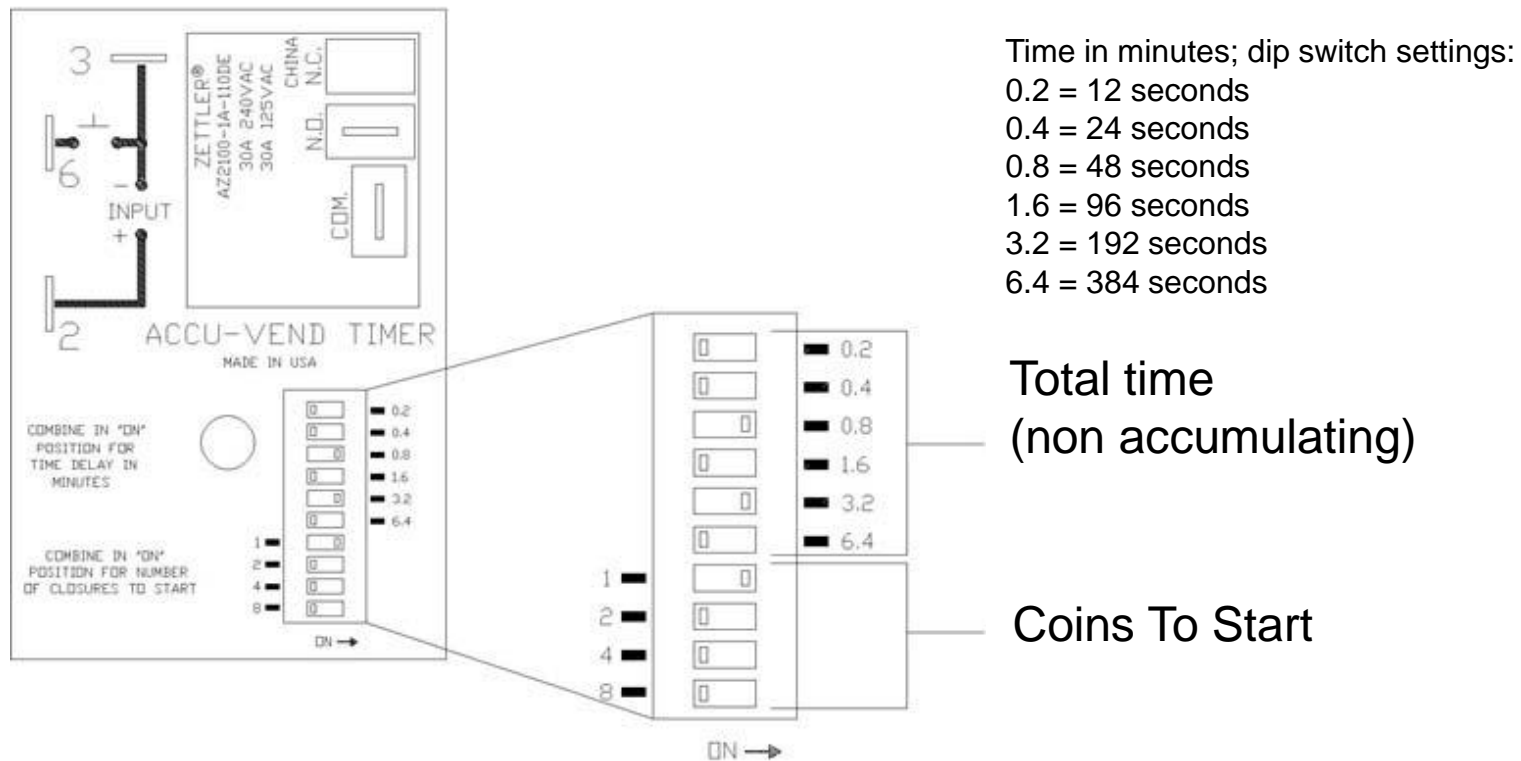
6.4 = 384 seconds



COMMERCIAL VAC Programming:

JE Adams commercial vacuum models typically come with an "on/off" toggle switch, but are also available with the optional push button kit which incorporates the use of a timer. The below timer pictured is the standard SSAC model that allows the end user to select the "coins to start" and the "total time" by settings series of dip switches. The number of "coins to start" dip switch is how many quarters are needed to make the machine come on. In the below example, the "one coin" dip is selected which makes the unit come on with one coin. The "total time" will then need to be set, but a good rule of thumb would be 4 minutes which requires dip switches 3.2 and .8 to be set to on. This scenario means 1 quarter will provide 4 minutes of vacuum time. The total time can always be changed by adding or subtracting time. If the operator would later decide to increase the cost of the unit to "2" quarters, the 2 dip switch would need to be in the on position (all others off) and the time dip switches would still be 3.2 and .8 dups selected for 4 minutes. Timer is non accumulating so "coins to start" setting is just to make the machine come on time and "time" is total time regardless of coins to start.

NOTE: In the case of a free vend machine that incorporates the use of a push button, COINS TO START is set at 1.



Operating Instructions:

- Insert payment or push button or toggle switch to start vacuum.
- Once service is used, hang up hose.

Maintenance:

- **All servicing of machine should be conducted by an authorized service representative!**
- Cartridge filter some with a nylon cover that should be accessed and shaken down weekly, depending on level of use. It is recommended to keep a new cartridge filter and nylon cover on hand so that service is not interrupted when filter is due to be replaced.
- To maintain performance, empty dirt bin from the canister on a regular basis.
- Periodically inspect wires and connections for wear or fatigue.
- Check door and motor gaskets periodically for signs of wear or damage and replace as needed.
- Check vac hose for cracks on a weekly basis.
- Clean canister with a stainless steel cleaner as needed. Decals can be cleaned with mild soap and water.
- Check motor brushes every month for excessive wear. Motor brushes should be changed immediately if they are shorter than 1/4". **Please disconnect power before doing this!**



DISCONNECT POWER BEFORE SERVICING OR TROUBLESHOOTING!



Troubleshooting:

| Problem | Possible cause | Solution |
|------------------------|---|--|
| Unit will not come on. | No power to machine. | Check incoming power. |
| | Loose or bad connection. | Check incoming power connection. |
| | Timer has no output. | Check output terminal of timer for voltage. |
| | Coin mech switch or push button is not sending signal to timer. | Bypass switch and touch the two wire together - USE CAUTION 120V!! |
| | Vaccum motor is bad. | Replcae vacuum motor. |

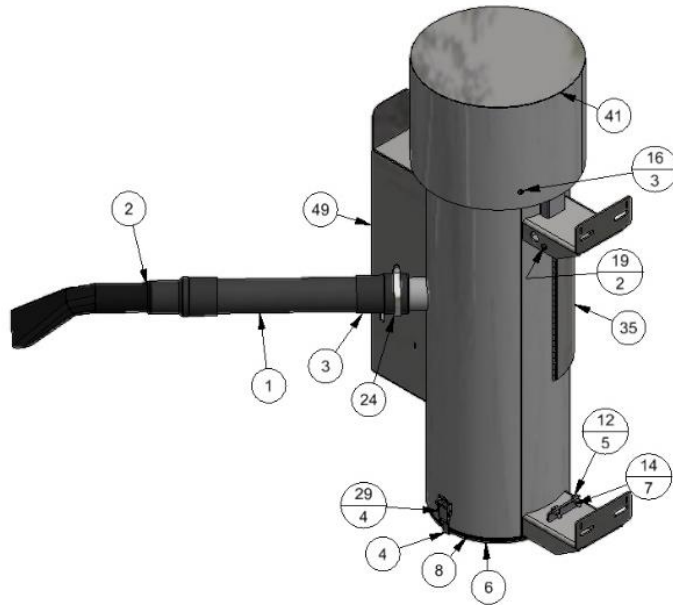
| Problem | Possible cause | Solution |
|------------------------------------|---|---|
| Machine is behaving erratically. | Is the incoming power at 120V? | Check voltage and monitor while machine runs. Low voltage can cause erratic behavior. |
| | Are any of the machines wires worn through or connections not making contact? | Inspect wiring and connections. Look for sharp bends in wires and places where wire is against the metal chassis. |
| Unit keeps tripping breaker. | Inadequate wire size ran to machine. | Call electrician and install proper wire size for electrical service versus length or run. |
| | Vacuum motor is bad. | Replace vacuum motor. |
| | Wrong size breaker. | Install correct breaker providing wire size is rated for that size breaker. |
| Fuses for vac motors keep blowing. | Inadequate wire size ran to machine. | Call electrician and install proper wire size for 30amp service versus length or run. |
| | Vacuum motor is bad. | Replace vacuum motor. |
| | Motor brushes may be bad or too short. | Replace motor brushes. |
| Lack of vacuum suction. | Vac hose clogged? | Clean debris from vac hose. |
| | Filter needs cleaned or dirt chamber needs emptied? | Clean filter or replace and empty lower dirt chamber. |
| | Vac hose is split? | Replace/repair vac hose. |
| | Cleanout door gaskets torn or worn? | Replace gaskets. |
| | Vac motor gasket is worn or motor is not tight against. | Inspect/replace gaskets and assure motor is tight against gasket. |

BILL OF MATERIALS

| ITEM | PART NUMBER | DESCRIPTION | QTY |
|------|---------------|--|-----|
| 38 | 8754 | DECAL, WARNING | 1 |
| 39 | 8953 | MEDECO CAM LOCK W/2 KEYS | 1 |
| 40 | 8958-1A | MEDECO SCREW LOCK- HIGH SECURITY AIR MACHINE | 1 |
| 41 | 9202-50-10W | DOME WELDMENT, MINI VAC | 1 |
| 42 | 9202-50-13W | MOUNTING BRACKET WELDMENT, DOME | 3 |
| 43 | 9202-50-25FPD | FACEPLATE DECAL KIT, MINI-VAC | 1 |
| 44 | 9202-50-25W | FACEPLATE WELDMENT, MINI VAC | 1 |
| 45 | 9202-50-30W | COIN BOX WELDMENT, MINI VAC | 1 |
| 46 | 9202-50-44 | FILTER, PLEATED CARTRIDGE | 1 |
| 47 | 9202-50-46A | ELECTRICAL COVER ASSY, MINI VAC | 1 |
| 48 | 9202-50-60A | EXHAUST SILENCER ASSEMBLY | 1 |
| 49 | 9202-50W | CAN WELDMENT, MINI VAC | 1 |
| 50 | 9299-WIREKIT | MINI-VAC WIRE KIT | 1 |
| 51 | 9299BOX | BOX, 48L X 24D X 12H ID | 1 |

BILL OF MATERIALS

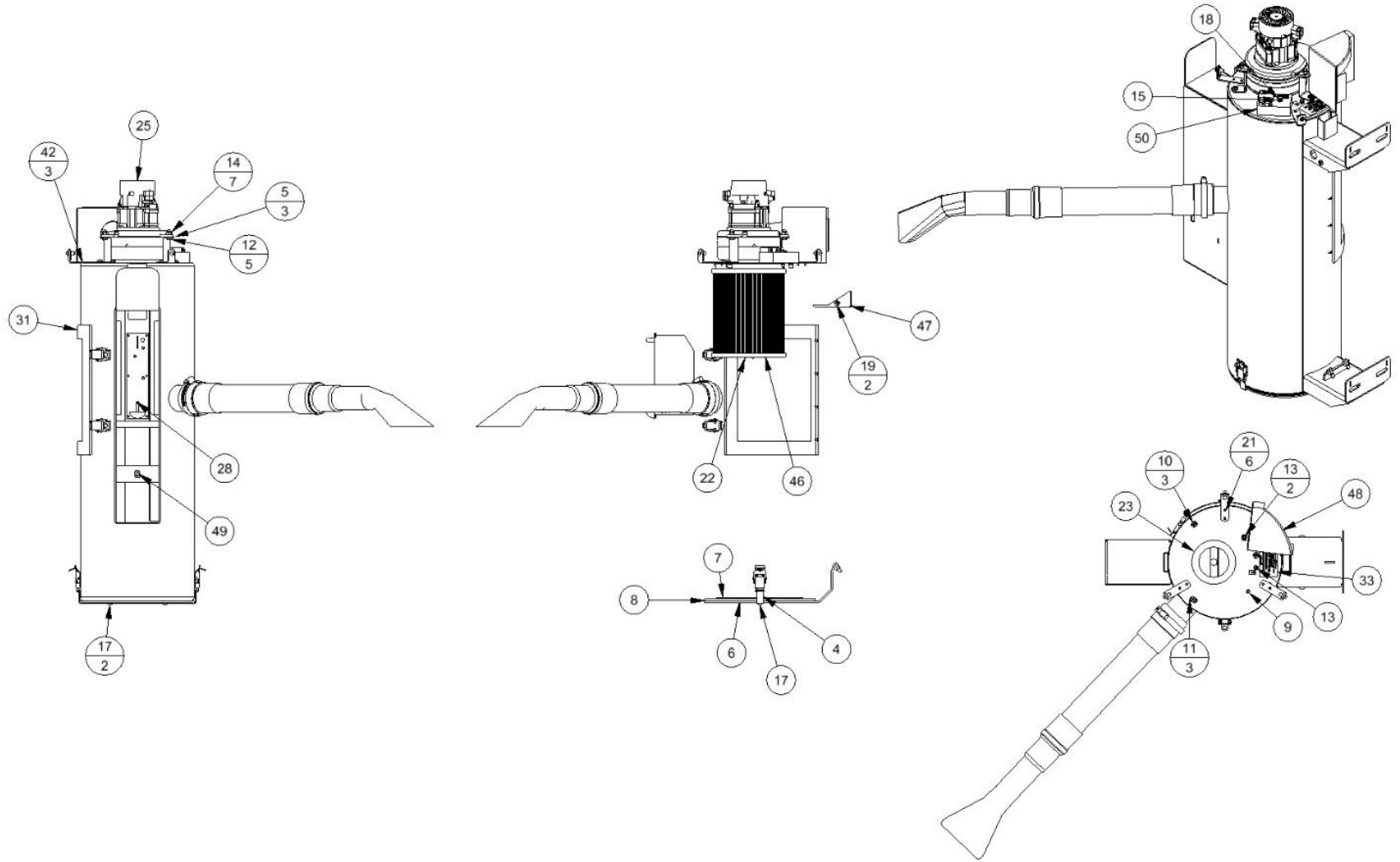
| ITEM | PART NUMBER | DESCRIPTION | QTY |
|------|-------------|-------------------------------------|-----|
| 1 | 2036 | HOSE, 2" X 15' BLACK VACUUM | 1 |
| 2 | 2058 | CLAW/CUFF ASSEMBLY, 2" | 1 |
| 3 | 2086 | COUPLER, 2" PIPE - 2" HOSE | 1 |
| 4 | 35000-113 | LOCK BRACKET | 1 |
| 5 | 35000-173 | BRACKET, MOTOR HOLD DOWN, MINI VAC | 3 |
| 6 | 35000-63 | DOOR, PRE FILTER BOTTOM | 1 |
| 7 | 35000-63-4 | GASKET RETAINER PLATE | 1 |
| 8 | 35000-65 | DOOR GASKET, PRE FILTER | 1 |
| 9 | 5261D3 | RIVET NUT, #10-24, STEEL PLATED | 1 |
| 10 | 5261D5 | 1/4-20 ZINC PLATED STEEL, RIVET NUT | 3 |
| 11 | 5601D13 | SCR, 1/4-20x1/2 PPHSqConeStepZP | 3 |
| 12 | 5601D4 | 1/4-20 x 3/4 HHCS-SS | 5 |
| 13 | 5603D1 | 10-24 Std NC Nylock Nut | 2 |
| 14 | 5603D2 | 1/4-20 NYLOCK NUT, SS | 7 |
| 15 | 5606D1 | #10 SAE WASHER | 1 |
| 16 | 5619D1 | SCR, HEX SOC BUT, HD CPCW, 1 | 3 |
| 17 | 5635D4 | BOLT, CARRIAGE, 1/4-20 UNC | 2 |
| 18 | 5636D4 | SCREW, #10-24x1.50, PH, PD, SS | 1 |
| 19 | 5640D1 | 1/4-20 x 1/2 PHIL PAN HEAD SCREW | 2 |
| 20 | 5647D2 | RIVET, 1/8 SS POP RIVET 1/16 | 12 |
| 21 | 5647D3 | RIVET, 1/8 x .034 SS POP RIVET | 6 |
| 22 | 5664D3 | WING NUT, 3/8-16, 18-8 SS | 1 |
| 23 | 8057-10 | MOTOR GASKET, MINI VAC | 1 |
| 24 | 8061-720-8 | 3" HOSE CLAMP, STAINLESS STEEL | 1 |
| 25 | 8061-720EM | TANGENTIAL BYPASS MOTOR, 120VAC | 1 |
| 26 | 8081 | CABLE TIE MOUNT | 3 |
| 27 | 8084 | CABLE TIE | 5 |
| 28 | 8149 | IMONEX COIN ACCEPTOR | 1 |
| 29 | 8153-1 | LATCH, CLEANOUT DOOR | 4 |
| 30 | 8157 | NUT, #6-32 KEPP NUT STAINLESS | 4 |
| 31 | 8158 | DOOR GASKET | 1 |
| 32 | 8176 | DECAL, LINE-NEUTRAL-GROUND | 1 |
| 33 | 8183 | DECAL, "DISCONNECT POWER" | 1 |
| 34 | 8423-2 | DECAL, VACUUM DOME | 1 |
| 35 | 8615-10W | CLEANOUT DOOR WELDMENT, MINI VAC | 1 |
| 36 | 8732 | NAMEPLATE, PRODUCT SPEC DECAL | 1 |
| 37 | 8753 | DECAL, WARNING, TRI-LING | 1 |



| | | | | |
|-----|------|--|----------|-----|
| D | 8588 | REPLACE 2081 WITH 2086 | 04/22/20 | JRF |
| C | 8559 | ADD BOX FOR PACKAGING | 02/20/20 | JRF |
| B | 8549 | REMOVE 9202-50-44BAG AS NO LONGER NEEDED | 01/31/20 | JRF |
| A | 8217 | ADD MISSING ITEMS, REPLACE 5601D1 WITH 5601D13 | 03/05/18 | JRF |
| - | 8109 | RELEASED | 11/10/17 | JRF |
| REV | NO. | DESCRIPTION | DATE | BY |

| UNSPECIFIED TOLERANCES | | MATERIAL | | TITLE | |
|------------------------|------------|-----------------|------------|---|--|
| 1 PL ±.040 | 2 PL ±.020 | 3 PL ±.003 | ANGLE ± 1° | MINI-VAC, SINGLE MOTOR | |
| DRAWN BY: JOHN F | | DATE: 3/30/2017 | | CEDAR RAPIDS, IOWA | |
| SCALE: .085 | | SHEET: 1 / 3 | |  | |
| PART NO: 9299 | | REV: D | | | |

THIS DOCUMENT SHALL NOT BE REPRODUCED NOR SHALL THE INFORMATION THEREIN BE USED BY OR DISCLOSED TO OTHERS EXCEPT AS AUTHORIZED BY J.E. ADAMS INDUSTRIES



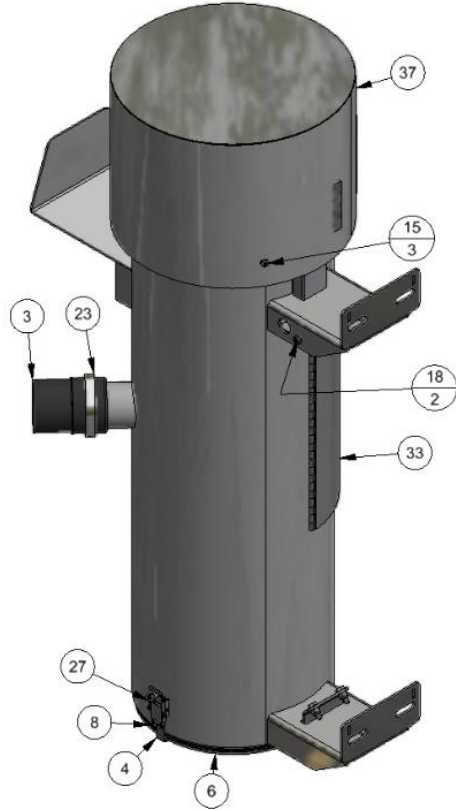
| TITLE | | MINI-VAC, SINGLE MOTOR | |
|------------------------|----------|------------------------|--------|
| UNSPECIFIED TOLERANCES | MATERIAL | CEDAR RAPIDS, IOWA | |
| 1 PL ±.040 | DRAWN BY | JOHN F | |
| 2 PL ±.020 | DATE | 3/30/2017 | |
| 3 PL ±.003 | SCALE | SHEET | REV. |
| ANGLE ± 1° | .085 | 2 / 3 | 9299 D |

| REV | NO. | DESCRIPTION | DATE | BY |
|---|-----|-------------|------|----|
| THIS DOCUMENT SHALL NOT BE REPRODUCED NOR SHALL THE INFORMATION THEREIN BE USED BY OR DISCLOSED TO OTHERS EXCEPT AS AUTHORIZED BY J.E. ADAMS INDUSTRIES | | | | |

PART NO
9299-C

| BILL OF MATERIALS | | | |
|-------------------|----------------|---------------------------------|-----|
| ITEM | PART NUMBER | DESCRIPTION | QTY |
| 38 | 9202-50-13W | MOUNTING BRACKET WELDMENT, DOME | 3 |
| 39 | 9202-50-44 | FILTER, PLEATED CARTRIDGE | 1 |
| 40 | 9202-50-46A | ELECTRICAL COVER ASSY, MINI VAC | 1 |
| 41 | 9202-50-60A | EXHAUST SILENCER ASSEMBLY | 1 |
| 42 | 9202-51W | CAN WELDMENT, MINI VAC | 1 |
| 43 | 9299-C-WIREKIT | WIRE KIT FOR 9299 TOGGLE | 1 |
| 44 | 9299BOX | BOX, 48L X 24D X 12H ID | 1 |

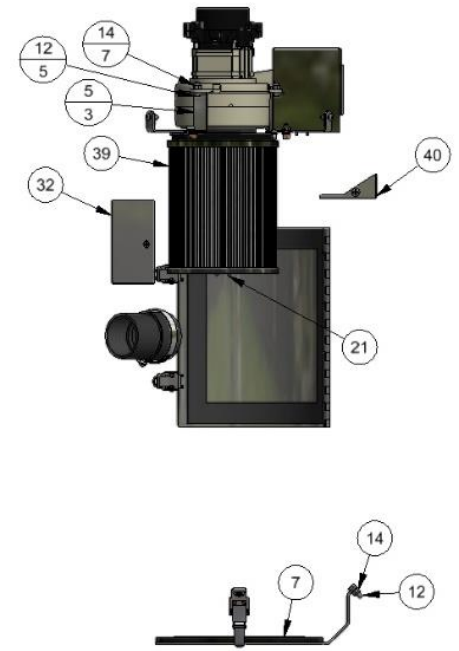
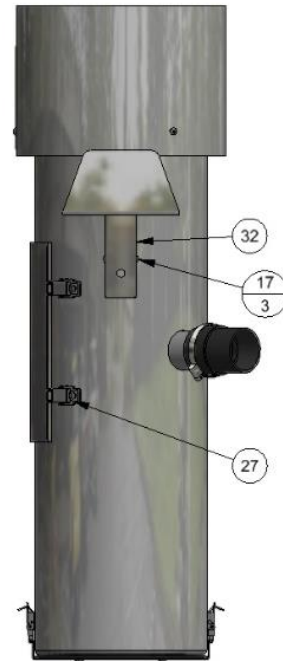
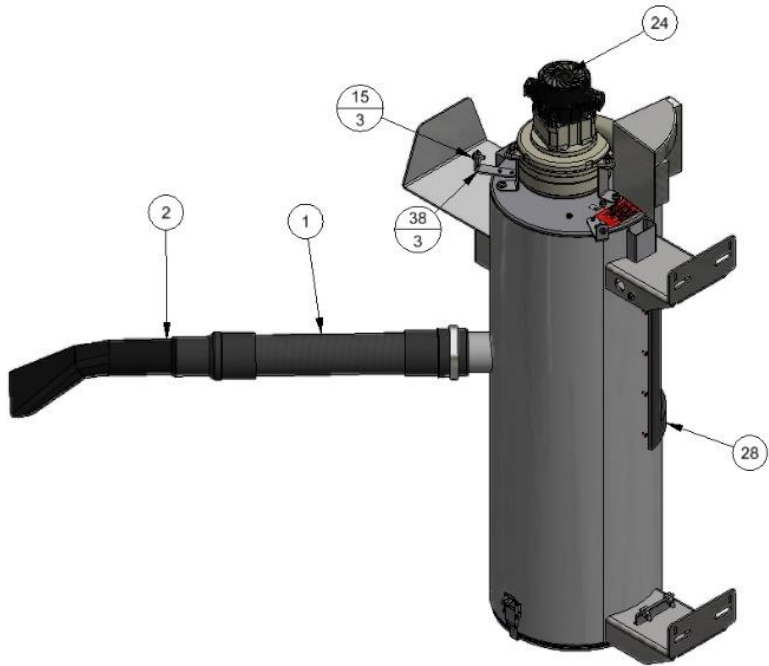
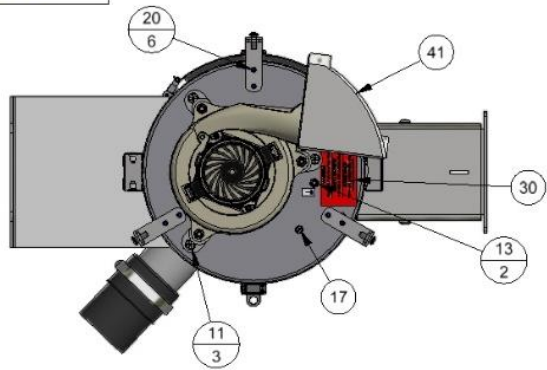
| BILL OF MATERIALS | | | |
|-------------------|-------------|-------------------------------------|-----|
| ITEM | PART NUMBER | DESCRIPTION | QTY |
| 1 | 2036 | HOSE, 2" X 15' BLACK VACUUM | 1 |
| 2 | 2058 | CLAW/CUFF ASSEMBLY, 2" | 1 |
| 3 | 2086 | COUPLER, 2" PIPE - 2" HOSE | 1 |
| 4 | 35000-113 | LOCK BRACKET | 1 |
| 5 | 35000-173 | BRACKET, MOTOR HOLD DOWN, MINI VAC | 3 |
| 6 | 35000-63 | DOOR, PRE FILTER BOTTOM | 1 |
| 7 | 35000-63-4 | GASKET RETAINER PLATE | 1 |
| 8 | 35000-65 | DOOR GASKET, PRE FILTER | 1 |
| 9 | 5261D3 | RIVET NUT, #10-24, STEEL PLATED | 3 |
| 10 | 5261D5 | 1/4-20 ZINC PLATED STEEL, RIVET NUT | 3 |
| 11 | 5601D13 | SCR, 1/4-20x1/2 PPHSqConeStepZP | 3 |
| 12 | 5601D4 | 1/4-20 x 3/4 HHCS-SS | 5 |
| 13 | 5603D1 | 10-24 Std NC Nylock Nut | 2 |
| 14 | 5603D2 | 1/4/20 NYLOCK NUT, SS | 7 |
| 15 | 5619D1 | SCR, HEX SOC BUT, HD CPCW, 1 | 3 |
| 16 | 5635D4 | BOLT, CARRIAGE, 1/4-20 UNC | 2 |
| 17 | 5636D1 | SCREW, #10-24 X .50, PH, PD, SS | 3 |
| 18 | 5640D1 | 1/4-20 x 1/2 PHIL PAN HEAD SCREW | 2 |
| 19 | 5647D2 | RIVET, 1/8 SS POP RIVET 1/16 | 12 |
| 20 | 5647D3 | RIVET, 1/8 x .034 SS POP RIVET | 6 |
| 21 | 5664D3 | WING NUT, 3/8-16, 18-8 SS | 1 |
| 22 | 8057-10 | MOTOR GASKET, MINI VAC | 1 |
| 23 | 8061-720-8 | 3" HOSE CLAMP, STAINLESS STEEL | 1 |
| 24 | 8061-720EM | TANGENTIAL BYPASS MOTOR, 120VAC | 1 |
| 25 | 8081 | CABLE TIE MOUNT | 3 |
| 26 | 8084 | CABLE TIE | 5 |
| 27 | 8153-1 | LATCH, CLEANOUT DOOR | 4 |
| 28 | 8158 | DOOR GASKET | 1 |
| 29 | 8176 | DECAL, LINE-NEUTRAL-GROUND | 1 |
| 30 | 8183 | DECAL, "DISCONNECT POWER" | 1 |
| 31 | 8423-2 | DECAL, DOME VACUUM | 1 |
| 32 | 8505-8 | SWITCH COVER, MINI VAC | 1 |
| 33 | 8615-10W | CLEANOUT DOOR WELDMENT, MINI VAC | 1 |
| 34 | 8732 | NAMEPLATE, PRODUCT SPEC DECAL | 1 |
| 35 | 8753 | DECAL, WARNING, TRI-LING | 1 |
| 36 | 8754 | DECAL, WARNING | 1 |
| 37 | 9202-50-10W | DOME WELDMENT, MINI VAC | 1 |



| | | | | |
|-----|------|--|----------|-----|
| E | 8588 | REPLACE 2081 WITH 2086 | 04/22/20 | JRF |
| D | 8559 | ADD BOX FOR PACKAGING | 02/20/20 | JRF |
| C | 8549 | REMOVE 9202-50-44BAG AS NO LONGER NEEDED | 01/31/20 | JRF |
| B | 8329 | REMOVED 5260D3 AND CHANGED 5261D3 FROM QTY. 1 TO 3 | 9/5/2018 | CAK |
| A | 8217 | ADD MISSING ITEMS, REPLACE 5601D1 WITH 5601D13 | 03/05/18 | JRF |
| REV | NO. | DESCRIPTION | DATE | BY |

| | | | |
|------------------------|------------|-----------------------------------|-------------|
| TITLE | | COMMERCIAL MINI-VAC, SINGLE MOTOR | |
| UNSPECIFIED TOLERANCES | MATERIAL | CEDAR RAPIDS, IOWA | |
| | DRAWN BY | JOHN F | |
| | DATE | 3/30/2017 | |
| 1 PL ± .030 | SCALE | .12 | SHEET 1 / 2 |
| 2 PL ± .020 | ANGLE ± 1° | | |
| 3 PL ± .003 | | | |
| | PART NO | 9299-C | |
| | REV | E | |

THIS DOCUMENT SHALL NOT BE REPRODUCED NOR SHALL THE INFORMATION THEREIN BE USED BY OR DISCLOSED TO OTHERS EXCEPT AS AUTHORIZED BY J.E. ADAMS INDUSTRIES



| | | | |
|------------------------|----------|-----------------------------------|---------|
| TITLE | | COMMERCIAL MINI-VAC, SINGLE MOTOR | |
| UNSPECIFIED TOLERANCES | MATERIAL | CEDAR RAPIDS, IOWA | |
| 1 PL ± .030 | DRAWN BY | JOHN F | |
| 2 PL ± .020 | DATE | 3/30/2017 | |
| 3 PL ± .003 | SCALE | SHEET | PART NO |
| ANGLE ± 1° | .12 | 2 / 2 | 9299-C |
| | | | REV. E |

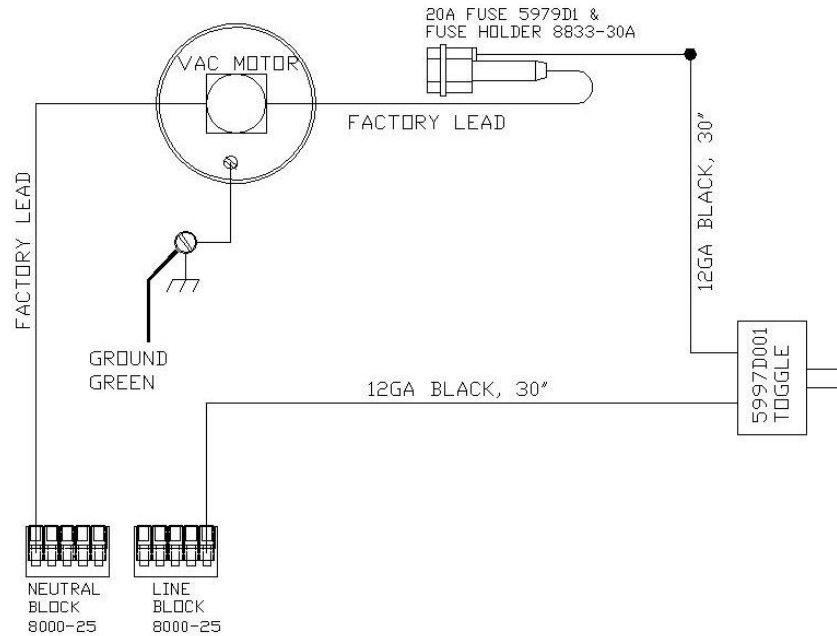
| REV | NO. | DESCRIPTION | DATE | BY |
|---|-----|-------------|------|----|
| THIS DOCUMENT SHALL NOT BE REPRODUCED NOR SHALL THE INFORMATION THEREIN BE USED BY OR DISCLOSED TO OTHERS EXCEPT AS AUTHORIZED BY J.E. ADAMS INDUSTRIES | | | | |

PART NO. 1 MOTOR MINI-VAC, ON-OFF TOGGLE


THIS DOCUMENT SHALL NOT BE REPRODUCED NOR SHALL THE INFORMATION THEREIN BE USED BY OR DISCLOSED TO OTHERS EXCEPT AS AUTHORIZED BY J.E. ADAMS INDUSTRIES

BILL OF MATERIAL

| ITEM NO. | PART NO. | DESCRIPTION | QTY. |
|----------|----------|-------------|------|
|----------|----------|-------------|------|



!! IMPORTANT !!
 TERMINAL STRIP IS ON BACK SIDE OF TIMER PLATE IN LOCK BOX
 FIELD WIRING MUST COMPLY WITH LOCAL AND NATIONAL ELECTRICAL CODES
20AMP SERVICE IS REQUIRED

| | | | |
|------------------------|----------------|---|--------|
| TITLE | | 1 MOTOR MINI-VAC, ON-OFF TOGGLE | |
| UNSPECIFIED TOLERANCES | SCALE | CEDAR RAPIDS, IOWA | |
| FRACT. ± 1/32 | DRAWN BY JRF |  | |
| 2 PL ± 0.020 | DATE 06/08/17 | | |
| 3 PL ± 0.010 | REL. FOR PROD. | PART NO. 1 MOTOR MINI-VAC, ON-OFF TOGGLE | REV. — |
| ANGLE ± 1.0' | | | |

| | | | | |
|-----|------|-------------|----------|-----|
| - | 8109 | RELEASED | 12/11/17 | JRF |
| REV | NO. | DESCRIPTION | DATE | BY |